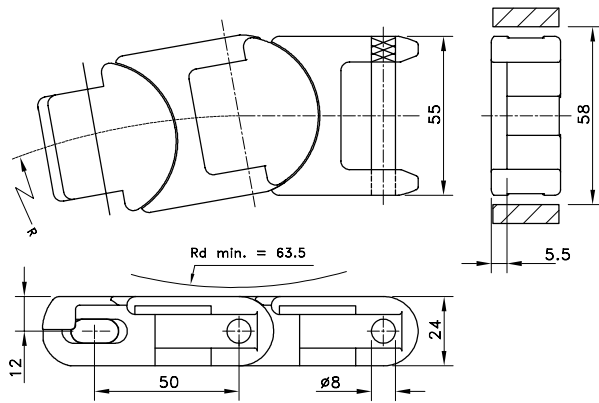


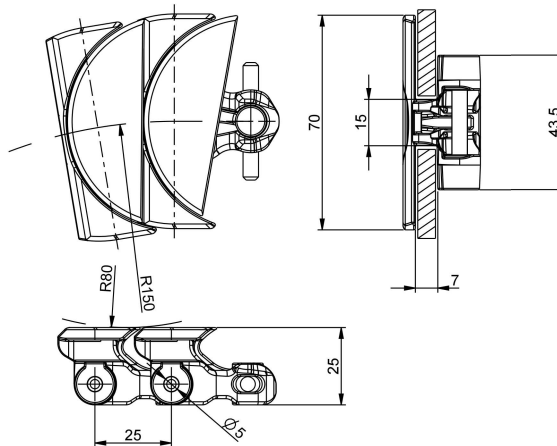
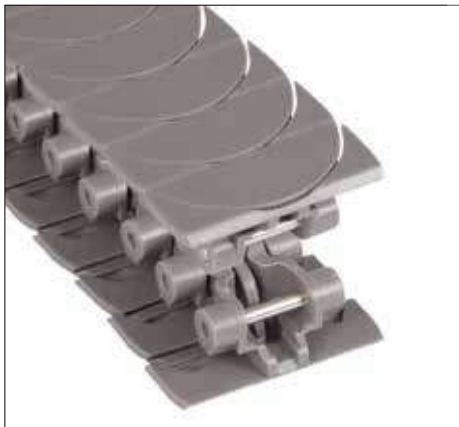
1765 ZeroGap™



Chain Type	Code Number	Link Width		Weight kg/m	Working Load (max.) N (21°C)	Backflex Radius (min) mm	Sideflex Radius (min) mm
		mm	inch				
HP-Acetal							
HP 1765 ZeroGap™	L1765604062N	55.0	2.17	1.46	2670	63,5	125
BWX-Polyamide Composite							
BWX 1765 ZeroGap™	L1765651673	55.0	2.17	1.46	2670	63,5	125

Standard length: 3.05 m - 10 feet (61 links).

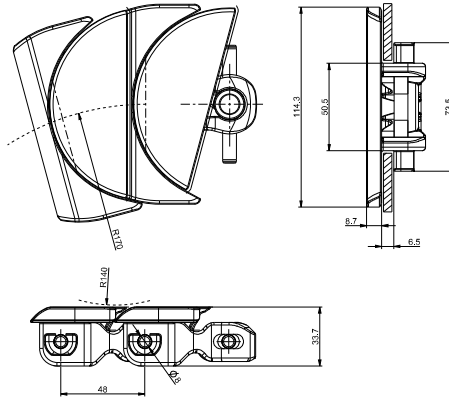
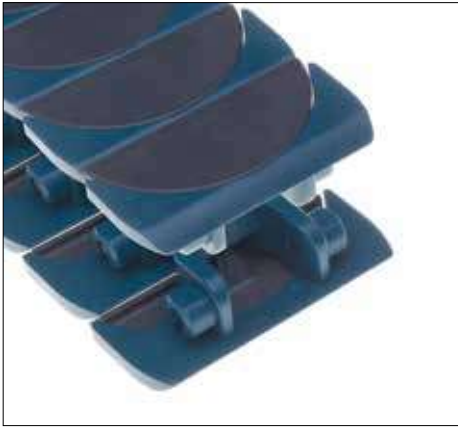
1775 ZeroGap™



Chain Type	Code Number	Link Width		Weight kg/m	Working Load (max.) N (21°C)	Backflex Radius (min) mm	Sideflex Radius (min) mm
		mm	inch				
HP-Acetal							
HP 1775	L1775634993	70.0	2.76	1.05	1000	80	150

Standard length: 5 m – 16.4 ft (200 pitches).

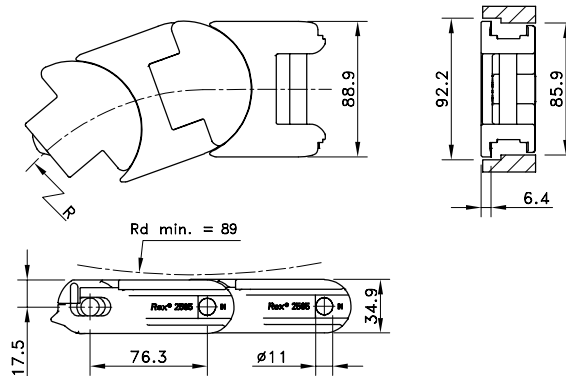
1785 ZeroGap™



Chain Type	Code Number	Link Width		Weight kg/m	Working Load (max.) N (21°C)	Backflex Radius (min) mm	Sideflex Radius (min) mm
		mm	inch				
XLG-Acetal							
XLG 1785 ZeroGap™	L1785643213	114.3	4.5	2.54	2500	140	170

Standard length: 2.40 m - 7.87 feet (50 links).

2565 ZeroGap™ Heavy Duty



Chain Type	Code Number	Link Width		Weight kg/m	Working Load (max.) N (21°C)	Backflex Radius (min) mm	Sideflex Radius (min) mm
		mm	inch				
BWX-Polyamide							
BWX 2565	81432921	88.9	3.50	2.67	10675	89	241

Standard length: 3.048 m - 10 feet (40 links).